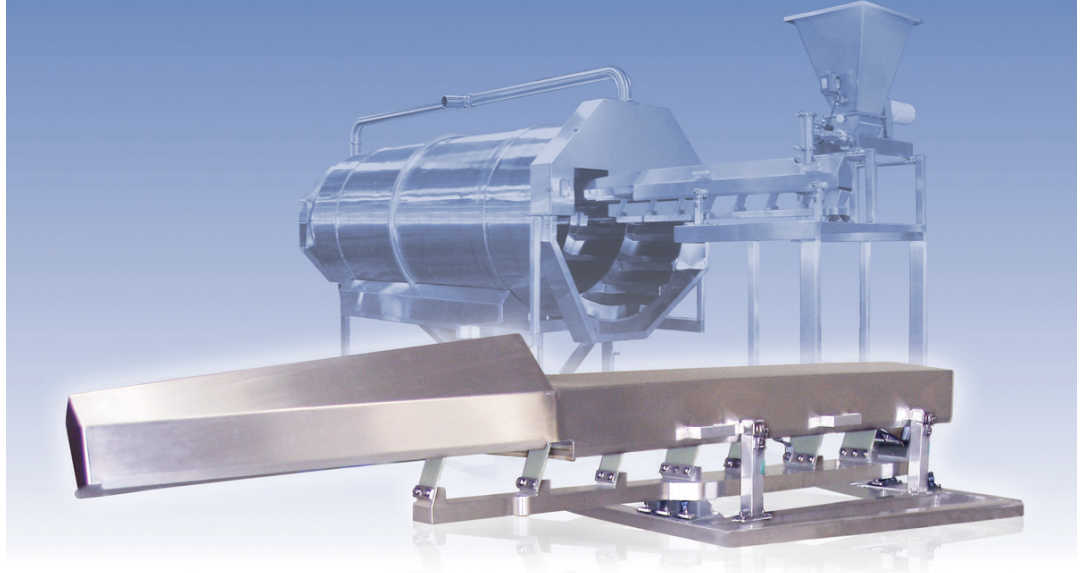




Add simplicity to dry ingredient application.



Spray Dynamics is a leader in providing the food industry with solutions for application of dry ingredients and other small particulates. The Scarf Plate Distributor optimises product coverage by providing an expanded, controlled curtain of particulates, either inside a coating drum or across a conveyor or belt.

Used in conjunction with our robust Uni-Spense™ feeders, the Scarf Plate provides even distribution of dry ingredients, nuts, seeds and many other small particulates.

The combination of Spray Dynamics Uni-Spense and Scarf Plate can be mounted on a variety of stands designed to fit around most exit conveyors with positive, tool-free locking mechanisms to ensure that the scarf remains in the same position day after day.

Four standard sizes of bias cuts are available - 46cm; 60cms; 95cms; 120cms

#### Standard features

- Mirror polished finish on inside of scarf pan
- Electromagnetic drive, housed in stainless steel
- 304 stainless steel construction

#### Options

- Tools-free hinged cover (shown above)
- Portable stand

Hinged cover (optional) prevents product falling onto the scarf plate inside the drum.



Optional stands are designed to fit around existing exit conveyors. Positive, tool-free locking mechanisms ensure correct positioning of scarf.

Constant improvement and engineering innovations mean these specifications can change without notice.